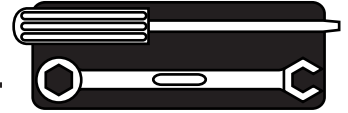


Installation Instructions for Hunter Ceiling Fan Light Kits For Wet Location Use

Preparing for Installation



⚠ CAUTIONS

- Read entire text carefully before beginning installation and save these instructions.
- To reduce the risk of electrical shock, install this light kit only on listed Hunter ceiling fans Type 5.

⚠ WARNINGS

- To avoid possible electrical shock, before installing light fixtures, disconnect power by turning off the circuit breakers both to

the outlet box and to its associated wall switch location. If you cannot lock the circuit breakers in the off position, securely fasten a prominent warning device, such as a tag, to the service panel.

- Connect house wiring to the fan before attaching the light fixture to the fan.
- All wiring must be in accordance with national and local electrical codes and ANSI/NFPA 70. If you are unfamiliar with wiring, you should use a qualified electrician.

Installing the Light Fixture



⚠ CAUTIONS

- Be sure no bare wire or wire strands are visible after making connections.

Refer to Figure 1 for the steps listed below.

Note: See fan installation instructions for connecting house wiring to the fan. Connect house wiring to the fan before attaching light kit to the fan.

1. Remove the switch housing cover from the bottom of the fan switch housing.

Note: Keep the switch housing cover as it will be needed if the Light Fixture is removed in the future.

2. Locate the two wires in the lower switch housing labeled "Connect Light Here" or "For Light Use". One will be white, the other black/white. Unscrew the wire nuts counterclockwise to expose the bare metal leads.

3. Locate the white wire and the black wire coming from the light fixture.
4. Thread the two wires from the light fixture through the center hole in the light kit gasket and into the lower switch housing.
5. Screw the fixture into the lower switch housing. Thread the lockwasher and nut provided over

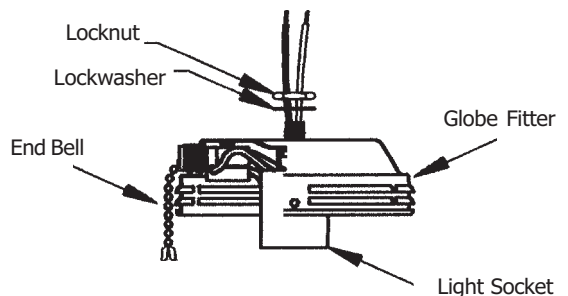


Figure 1

Continued

the wires. Making sure the light fixture mounting screw holes are aligned; hold the light fixture and tighten the nut on the inside of the lower switch housing.

IMPORTANT INSTALLATION INFORMATION

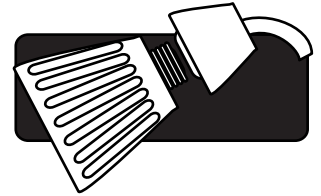
Before mounting the light kit to the ceiling fan, please attach the lockwashers provided in the light kit sack parts to the light kit mounting screws provided with the ceiling fan.

6. Insert and tighten the two light fixture mounting screws provided with the ceiling fan through the

light fixture, the light fixture gasket and into the switch housing.

7. Connect the black wire from the light fixture to the black/white wire from the lower switch housing.
8. Connect the white wire from the light fixture to the white wire from the lower switch housing. To fasten the wires, twist the two bare leads together. Place a wire nut over the intertwined length of wire and twist clockwise until tight.

Installing Globes and Bulbs



Refer to Figure 2 for the steps listed below.

1. Install the light bulb using guides for maximum size that is printed on the light fixture.
2. Install glass globe onto light fixture. Hand tighten all thumb screws. See Figure 2. Restore power to fan to complete installation.
3. Should the glass globe begin to rattle during use, be certain all thumbscrews are tight.

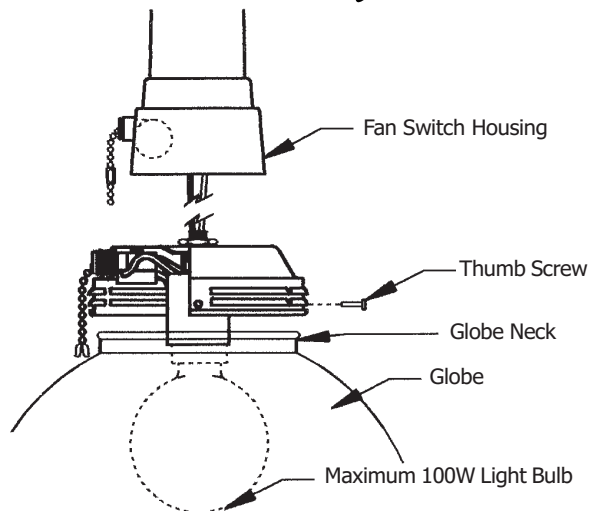


Figure 2