



SINCE 1886

INSTALLATION INSTRUCTIONS FOR HUNTER CEILING FANS TYPE 3 READ AND SAVE THESE INSTRUCTIONS

CAUTION:

1. Read entire instructions carefully before beginning installation.
2. To avoid possible electrical shock, be certain electricity is shut off at main panel before wiring.
3. All wiring must be in accordance with national and local electrical codes. If you are unfamiliar with wiring, you should use a qualified electrician.

WARNING:

1. To reduce the risk of fire or electrical shock, do not use a solid state speed control with this fan. Use Hunter Controls only.
2. To reduce the risk of personal injury, do not bend the blade brackets when installing the brackets or cleaning the fan. Do not insert foreign objects in between rotating fan blades.
3. To reduce the risk of personal injury, install the fan only to the building structure according to these instructions, and use only the hardware supplied.

Step 1: Pre-Installation Instructions

A. Select installation site. Check to see that in normal use no object can come in contact with the rotating fan blades. The mounting site should also meet the precautions listed in Step 3 below.

B. Installation hardware is included for a standard drywall or plaster ceiling. You will need a 4" x 1-1/2" or a 4" x 1/2" outlet box and wire nuts (2) which can be purchased from any hardware store or electrical supply house.

C. The fan blades must be mounted at least 7' above the floor. For maximum efficiency, they should not have any obstruction (walls, posts, etc.) within 24" of the blade tips. See Figure 1 for mounting distances.

Step 2: Inspection of Fan

A. Unpack the fan carefully to avoid any damage to the components.

B. Check for any shipping damage to the motor and the fan blades. If more than one fan is being installed, keep the matched and balanced fan blades in sets, as they were shipped. Should one of the fan blades become damaged during shipment, return all blades in the set for replacement.

C. Check contents to be certain it contains a bag of parts.

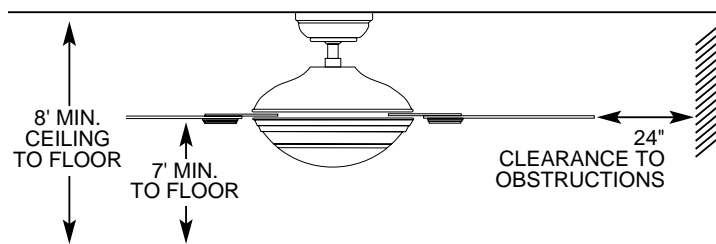


Figure 1. Wall Clearances

Step 3: Installation of Outlet Box and Rough-In Wiring

CAUTION: Your Hunter ceiling fan with accessories can weigh up to 35 lbs. The following precautions must be taken for safety and to ensure that your fan is securely mounted to the ceiling.

- Be certain electricity is "off" at fuse panel when inspecting or repairing installation site.
- All wiring must meet local and national electrical codes.
- Do not mount directly to an unsupported ceiling or to an electrical outlet box. Mounting must support a 35 lb. fan with accessories.

A. Secure metallic outlet box 4" x 1-1/2" or 4" x 1/2" deep to 2 x 4 cross brace between two ceiling joists as shown in Figure 2. The outlet box must be recessed into the ceiling by 1/16" minimum. Secure the outlet box to the cross brace by drilling (2) pilot holes no larger than the minor diameter of the wood screws (5/64") and use two #8 x 1-1/2" wood screws and washers. Use the innermost holes for securing the box. Orient the box so the outermost holes will be used in Step 4B.

CAUTION: Do not use a lubricant on screws.

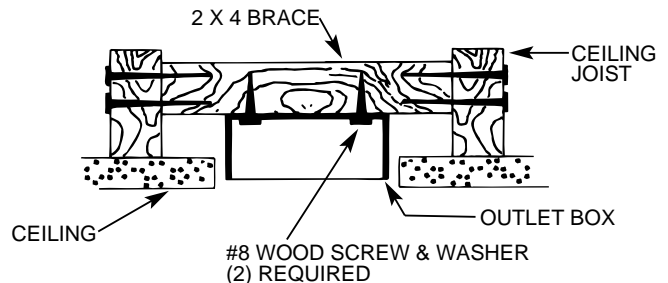


FIGURE 2. Outlet Box

B. Bring electrical cable into the outlet box and attach with an approved connector. Make certain that wiring meets all national and local electrical codes. Wire leads should extend at least 6" beyond outlet box for ease in making connections. See Figure 3.

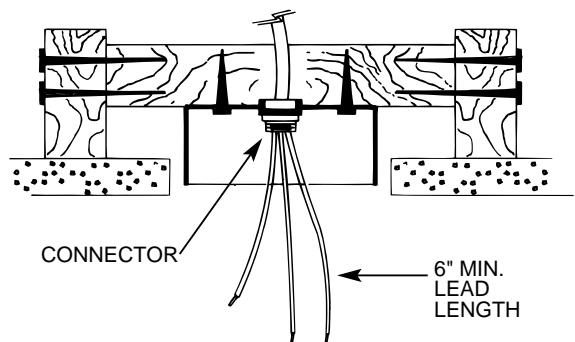


FIGURE 3. Wiring Outlet Box

Step 4: Installation of Ceiling Plate

A. Install the (3) rubber bushings into the top of the ceiling plate by inserting small side of the rubber bushing into the three holes in the ceiling plate. See Figure 4.

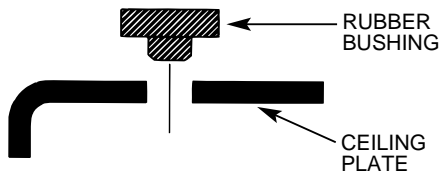


FIGURE 4. Rubber Bushings

B. Thread the lead wires through the opening in the ceiling plate and install the ceiling plate to the 2 x 4 brace which supports the outlet box. Use (2) #10 wood screws 3" long and (2) flat washers for mounting. Drill (2) pilot holes for the mounting screws 9/64" diameter. See Figure 4A.

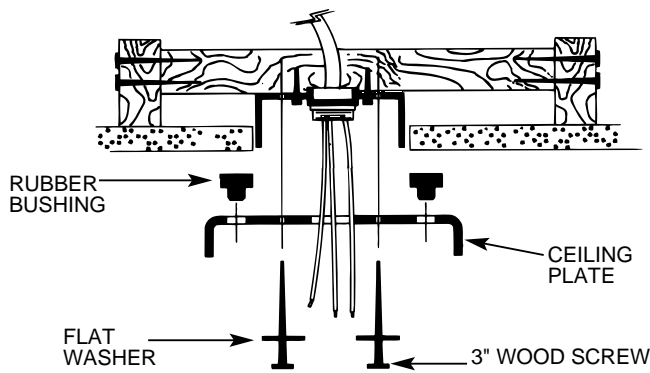


FIGURE 4A. Installing Ceiling Plate

NOTE: When mounting the fan on a vaulted ceiling, make sure that one set of elongated slots in the ceiling plate is aligned vertically with the ceiling joist, or horizontally with the cross brace if a cross brace is used. Be sure one of the threaded screw holes in the side of the ceiling plate is facing down. See Figure 4B. The hook in the ceiling plate should be in the down position.

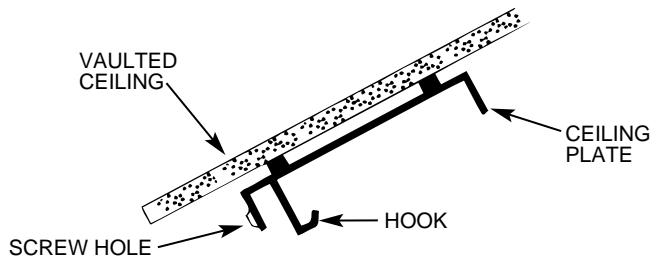


Figure 4B. Vaulted Ceiling

When attaching the canopy to the ceiling plate make sure the two tabs in the center hole of the canopy align vertically so that the tabs properly engage the two grooves in the hanger ball. When properly installed, the round screw clearance hole in the canopy should be facing down.

NOTE: When attaching ceiling plate to the outlet box support, make certain bushings remain in place.

NOTE: Tighten the ceiling plate mounting screws only enough to provide slight compression of the bushings. Do not overtighten.

Step 4A. Assemble Top Housing

CAUTION: Do not lift motor by wires.

A. Assemble the housing to the hanger adapter using (3) #8-32 screws. See Figures 4C and 4D. First align the (3) raised tabs on the hanger adaptor with the (3) narrow notches in the top housing. Make certain the housing sits flat on top of the adaptor. Tighten the screws securely.

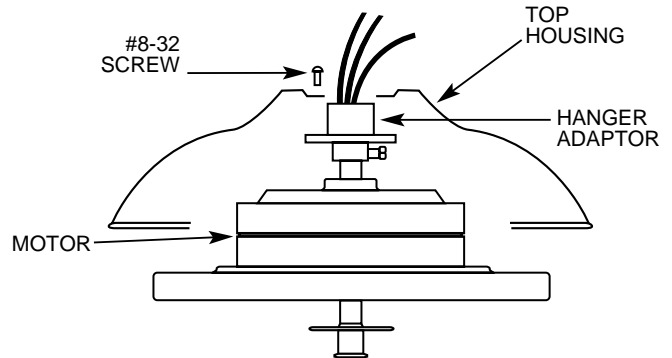
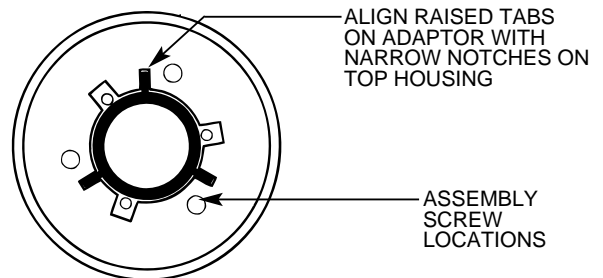


FIGURE 4C. Assemble Top Housing



VIEW: LOOKING DOWN ON TOP OF FAN SHOWING TAB AND NOTCH ALIGNMENT

FIGURE 4D. Assembling Top Housing

NOTE: Assembly Methods For Installer's Choice Hanging System

Your new Hunter fan can be hung in (2) different manners. (1) as a low profile fan or (2) as a ball type hanging fan. Please read Steps 5 through 7 and decide which style mounting to use.

Step 5-1: Fan Assembly Low Profile Version

A. Place the canopy on top of the fan so the hole in the bottom of the canopy fits over the adaptor on the top of the fan. See Figure 5. Place the canopy assembly washer inside the canopy with the vertical flange of the washer resting on the inside of the canopy.

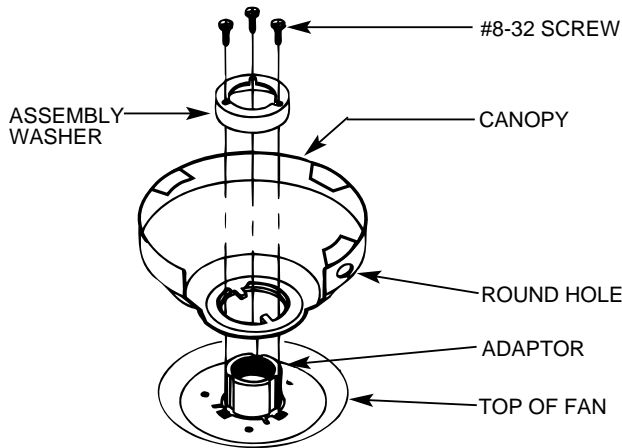


Figure 5. Low Profile Version

B. Position the (3) slots in the canopy assembly washer over the (3) threaded holes in the adaptor. See Figure 5.

C. Secure the canopy to the top of the fan using the (3) #8-32 x 7/8 long screws with lock washers. Make certain all screws are tight. Failure to do so could result in the fan falling.

CAUTION: To ensure proper engagement of the canopy assembly screws, the canopy must fit snug against the top of the fan.

CAUTION: Do not lift motor by wires.

D. Being careful not to scratch the canopy finish, hang the fan from the hook in the ceiling plate using the round hole in the top of the canopy. See Figures 5 and 5A.

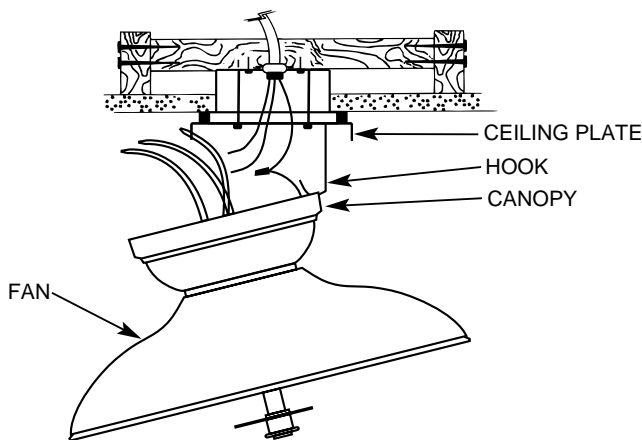


Figure 5A. Hanging the Fan

Step 5-2: Ball Hanging Version

CAUTION: Do not lift motor by wires.

A. Insert pipe nipple through canopy and feed wires from top of motor through pipe nipple. Screw pipe nipple into fan until tight (at least 4-1/2 turns). The setscrew locking the pipe nipple to motor must be tightened very securely. See Figure 5B. Failure to tighten screw could result in fan falling.

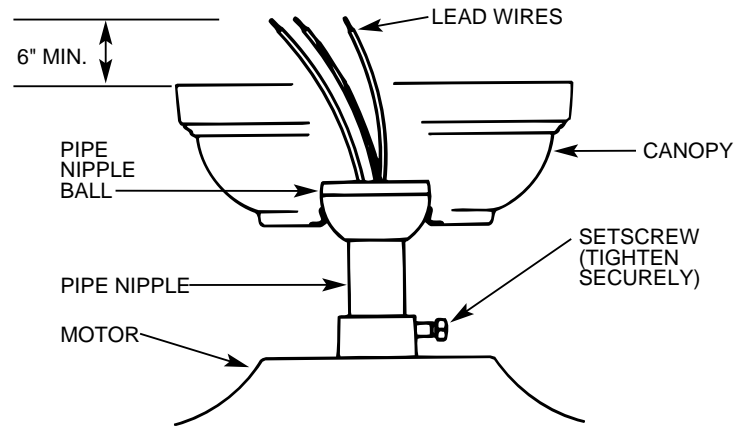


Figure 5B

B. Before hanging the fan from the ceiling plate align and engage the (2) tabs in the bottom of the canopy with the (2) grooves in the hanger ball. See Figure 5C.

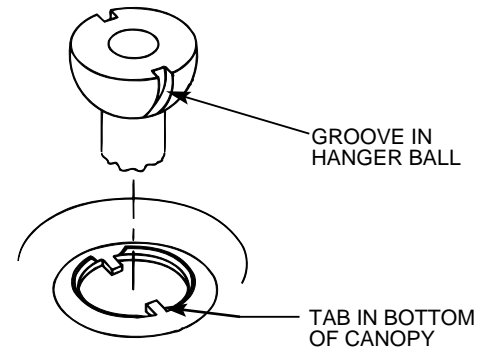


Figure 5C. Aligning Tab & Groove

Using the round hole in the top of the canopy, hang the fan from the hook in the ceiling plate. Make sure both tabs in the canopy remain engaged with the grooves in the ball. Be careful and don't scratch the finish while hanging the fan. See Figure 5A.

Step 6: Install Remote Control and Final Wiring

CAUTION: This device complies with part 13 of the FCC rules. Changes or modifications not expressly approved by Hunter Fan Company could void your authority to operate this equipment.

Operation is Subject to the Following Two Conditions:

- (1) This device may not cause harmful interference.
- (2) This device must accept any interference received, including interference that may cause undesired operation.

NOTE: Use with a fan that incorporates an air gap switch (normal "ON-OFF" wall switch).

WARNING! Maximum fan load is 100 watts; maximum lamp is 240 watts. Do not use any speed control with this product.

IMPORTANT! Before installing this control make sure the position of the dip switches of the transmitter and receiver are matched. If they are not matched, the control will not function.

Select different combinations of dip switches for each fan installation in the house to prevent interference of one control with another. See Figure 6.

IMPORTANT! When you change dip switches, make sure the battery is not connected to the transmitter.

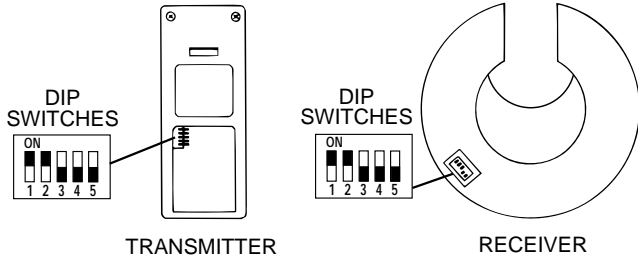


FIGURE 6

A. Install a fresh 9-volt battery into the transmitter (battery not supplied).

Place the receiver inside the canopy. First make sure the oval shaped holes in the bottom of the receiver and dip switches are facing down, toward the bottom of the canopy. Spread the receiver lead wires to each side and feed the wires from the top of the fan through the open slot in the receiver. Now place the receiver into the canopy making sure the slot in the receiver is aligned with the hook in the ceiling plate. When properly installed the hook in the ceiling plate will fit inside the open slot of the receiver. If the hook and slot do not line up with each other, rotate the receiver until the two parts align. The canopy can not be attached to the ceiling plate unless the hook is positioned in the receiver slot.

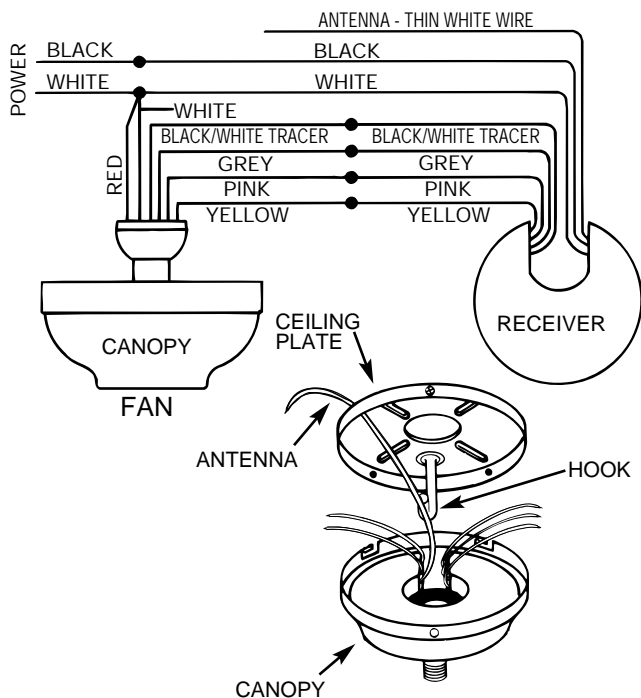


FIGURE 6A

B. Connect electrical supply leads from the motor, using approved connectors. Connect the yellow from the fan to the yellow from the receiver, pink from the fan to the pink from the receiver, grey from the fan to the grey from the receiver and the black with white tracer from the fan to the black with white tracer from the receiver.

Connect the red and white wires from the fan with the white from the receiver to the white power (common) wire. Connect the larger black wire from the receiver to the black power wire.

Run the thin white antenna wire from the receiver through one of the slots in the ceiling plate and outside the canopy (when installed). See Figure 6A.

Connect the ground wire to the green lead wires from the ceiling plate and the hanger ball.

After wiring is completed, check all connections to ensure that they are tight and there are no bare wires visible at the wire connectors.

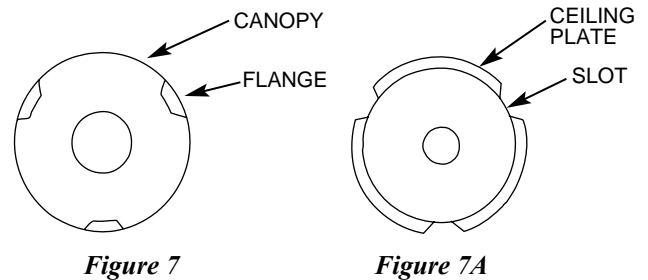
CAUTION: No bare wire or wire strands should be visible after making connections.

C. After making the wire connections, the wires should be spread apart with the white and green wires on one side of the outlet box and the other wires on the other side of the outlet box.

The splices should be turned upward and pushed carefully into the outlet box.

Step 7: Finish Hanging Fan

A. Remove the fan from the ceiling plate hook. Make sure you do not break any wire connections. The canopy has (3) suspension flanges located on top. See Figure 7. The ceiling plate has (3) mating slots. See Figure 7A.



B. Lift the fan and position the (3) flanges in the canopy into the (3) mating slots in the ceiling plate. Lift the fan until it is free to rotate in either direction. Rotate the fan until the (3) holes in the canopy line up with the (3) mating holes in the ceiling plate. Using (3) 10-32 x 1/2" long Phillips round head screws, secure the canopy to the ceiling plate.

CAUTION: Check and make sure no wires are caught between the canopy and ceiling plate.

CAUTION: Failure to properly tighten the (3) screws could result in the fan falling.

NOTE: For the ball hanging fan configuration make sure the (2) grooves in the ball are engaged with the (2) tabs in the canopy. Failure to do so could result in the fan falling. See Figure 5C.

Step 8: Fan Blade Assembly, Installation, and Balancing

A. First insert the rubber grommets into the (3) holes in each wood blade. See Figure 8.

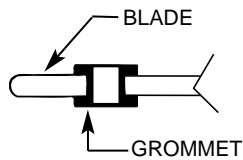


Figure 8

B. Next assemble the wood blades to the sheet metal blade brackets and blade medallions using (3) shoulder screws for each blade. See Figure 8A. Make sure all screws are tight.

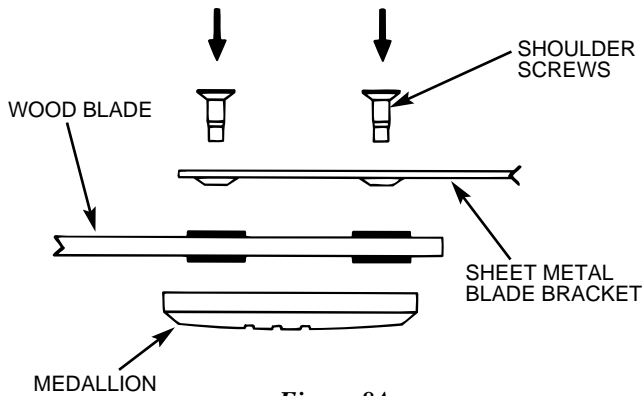


Figure 8A

C. Attach each blade assembly to the blade mounting plate at the bottom of the fan using (2) #10-32 x 1/2" long phillips round head screws with lockwashers. See Figure 8B. Tighten the assembly screws securely.

Repeat the step until all blades are securely attached.

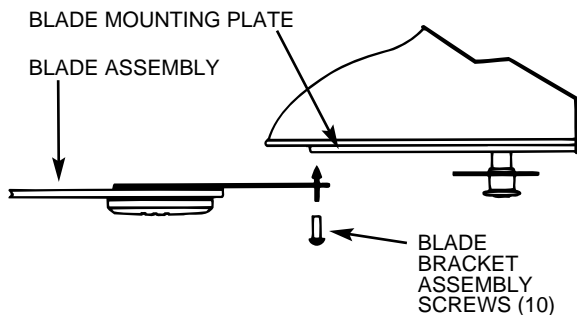


Figure 8B

D. A blade balancing kit has been provided with your fan. Should the fan wobble in operation, you may use the kit to correct the balance per the instructions supplied with the kit.

NOTE: After installing all the blades, check the (10) blade bracket assembly screws which attach the brackets to the motor. Make certain they are tight. See Figure 8B.

Step 9: Aligning the Fixture Fitter

A. Assemble the fixture fitter to the fitter mounting plate by inserting the upper plug connector through the hole in the center of the fitter and securing the fitter to the mounting plate using (3) 3/8" long phillips round head screws with lockwashers. Tighten the (3) screws securely. See Figure 9.

CAUTION: Failure to securely tighten the (3) assembly screws could result in the light kit falling.

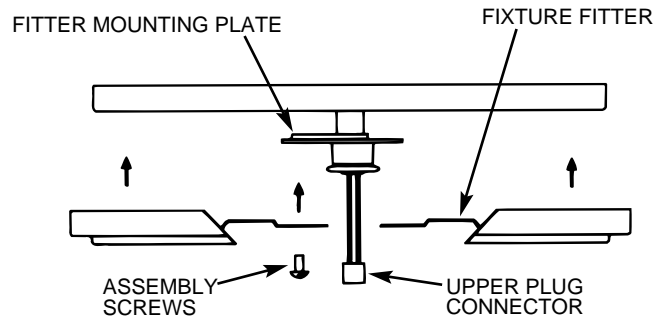


Figure 9

B. Plug the upper and lower plug connectors together. Attach the light fixture to the fitter using (3) 3/8" long phillips round head screws with lockwashers. Tighten the (3) screws securely. See Figure 9A.

CAUTION: Failure to securely tighten the (3) assembly screws could result in the light fixture falling.

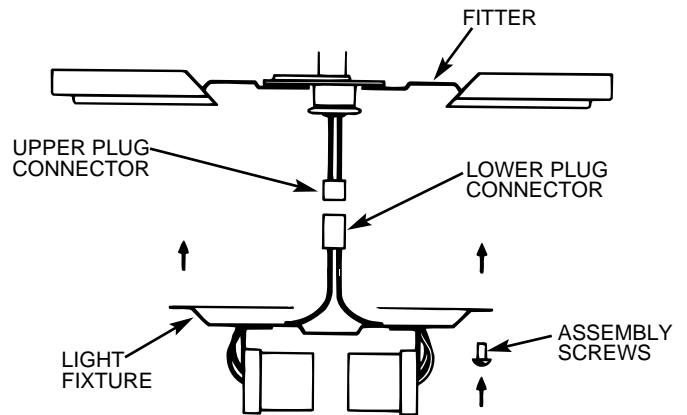


Figure 9A

Install (2) lamps. Refer to maximum wattage label on the light fixture for maximum lamp wattage.

Step 10: Install Globe

A. Install the glass globe assembly to fixture fitter. See Figure 10.

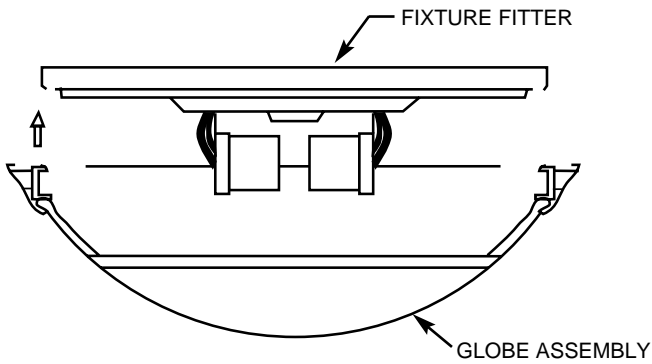
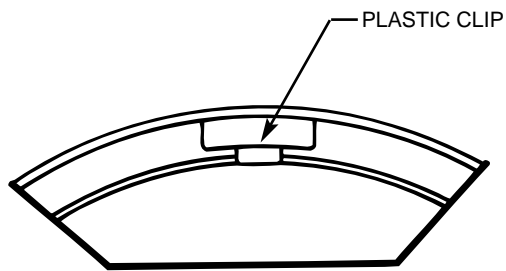


Figure 10

Inside the top of the globe assembly locate the (3) plastic clips. See Figure 10A. The clips have a horizontal flange which is used to support the globe assembly during installation.

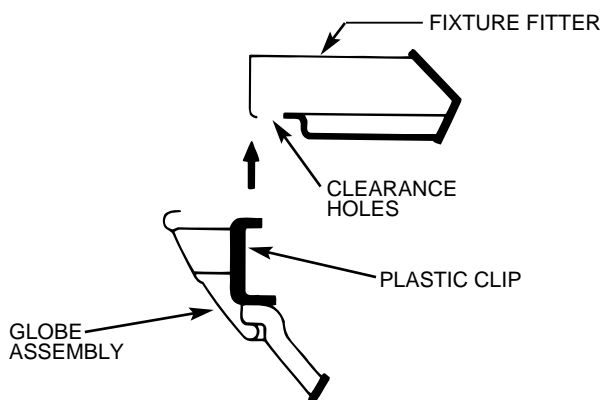


VIEW LOOKING DOWN INTO GLOBE ASSEMBLY

Figure 10A

After you've located the (3) plastic clips inside the globe, locate the (3) matching clearance openings in the bottom of the fixture fitter. Lift the globe assembly and position the (3) plastic clips inside the clearance holes in the fitter. See Figure 10B.

NOTE: You can easily align the plastic clips with the clearance openings by looking through the space between the housing and globe assembly as you lift the globe assembly into position.



LIFT GLOBE ASSEMBLY AND ROTATE

Figure 10B

Lift the globe assembly until it's free to rotate in either direction. Rotate the globe assembly until the (3) screw clearance holes in the globe trim line up with the matching threaded holes in the fixture fitter. See Figures 10 and 10C.

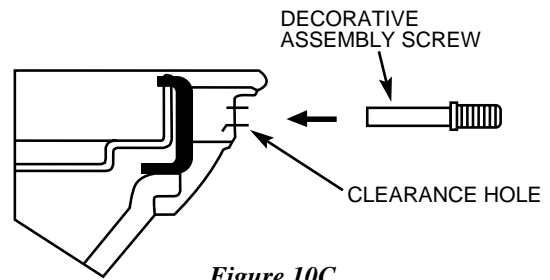


Figure 10C

Secure the globe assembly to the fitter using (3) decorative screws found in sack parts. See Figure 10C.

Tighten all (3) assembly screws.

CAUTION: Failure to securely tighten the (3) assembly screws could result in the globe assembly falling.

Step 11: Operation of Remote Control

Operating Instructions: The hand-held transmitter has individual buttons for control of the light, for controlling the fan speeds, for turning the fan off, and for reversing. See Figure 11.

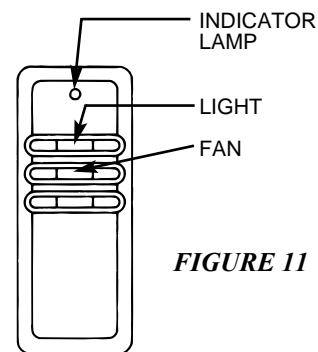


FIGURE 11

NOTE: Be sure to install a fresh battery. Check for weak battery if fan fails to operate properly.

Pressing the "LIGHT" button will turn the light on to full brightness. Holding the button will cause the light to dim slowly – release the button at the desired brightness to hold the selected brightness level. Pushing the button again will turn the light off.

The fan may be started by pressing one of the buttons marked "1," "2," or "3," for high, medium, or low, respectively. Pressing the button marked "FAN" will turn the fan off. The ◀▶ button is for reversing. When this button is pushed the fan will reverse its direction of rotation.

Wall Mount: A holder is supplied with the transmitter which can be mounted to a convenient location on a wall. The holder will help prevent misplacement of your transmitter by providing a permanent receptacle. See Figure 11A.

If desired, the holder can be mounted directly over the wall switch.

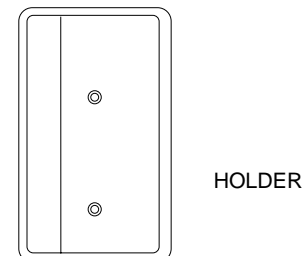


FIGURE 11A

HOLDER

TROUBLESHOOTING GUIDE

PROBLEM	PROBABLE CAUSE	SOLUTION
1. Nothing happens; fan does not move.*	<ol style="list-style-type: none">1. Power turned off or fuse blown.2. Loose wire connections or wrong connections.3. Weak battery in transmitter.4. Transmitter too far from fan.5. Transmitter/Receiver switches in wrong position.	<ol style="list-style-type: none">1. Turn power on or replace fuse.2. Loosen canopy. Check all connections. (Turn power off while checking.)3. Install new 9V battery.4. Maximum range is 15-30 feet.5. Set switches to matching positions.
<i>*NOTE: If blades will not turn by hand, contact your nearest service representative.</i>		
2. Noisy operation.	<ol style="list-style-type: none">1. Blade irons loosely screwed to motor.2. Blade screwed loosely to blade iron.3. Blade cracked.4. Light globe noisy.	<ol style="list-style-type: none">1. Tighten screws until snug.2. Tighten screws.3. Replace blades.4. Adjust globe.
3. Excessive wobbling.	<ol style="list-style-type: none">1. Unbalanced blades.2. Fan too close to vaulted ceiling.3. Loose blades or blade brackets.4. Fan not secure on hanger assembly.	<ol style="list-style-type: none">1. Use blade balancing kit. (See Step 8D.)2. Lower or move fan.3. Tighten all screws.4. Turn power off. Support fan very carefully. Loosen canopy and hang correctly.

When switching from medium to low speed, you may notice some fan wobble. When fan speed stabilizes at low speed, wobble will disappear. If you have checked the above problems and still have trouble, call (901) 745-9222.

