



# Hunter Fan Company Remote Ceiling Fan & Light Control

Transmitter Model: 84592  
 Transmitter Battery: 12 V, Type 23A, MN-21 or equivalent  
 Receiver Model: 85068  
 Ratings: 120 VAC, 60 Hz, 1.0 Amp Fan  
 300 Watts incandescent light

## Read and Save these Instructions

### Caution: Risk of Electrical Shock!

All wiring must be performed in accordance with national and local electrical codes. If you are unfamiliar with the wiring codes, you should use a qualified electrician.

To avoid over heating and possible damage to other equipment, do not install to control a receptacle, fluorescent light fixture, motor operated appliance, or transformer-supplied appliance. Use only to control one paddle-blade ceiling fan and incandescent light fixture.

## Notes:

1. This device complies with Part 15 of the FCC Rules. Operation is subject to the following two conditions: (1) this device may not cause harmful interference, and (2) this device must accept any interference received, including interference that may cause undesired operation.
2. This equipment has been tested and found to comply with the limits for a Class B digital device, pursuant to Part 15 of the FCC Rules. These limits are designed to provide reasonable protection against harmful interference in a residential installation. This equipment generates, uses and can radiate radio frequency energy and, if not installed and used in accordance with the instructions, may cause harmful interference to radio communications. However, there is no guarantee that interference will not occur in a particular installation.

If this equipment does cause harmful interference to radio or television reception, which can be determined by turning the equipment off and on, the user is encouraged to try to correct the interference by one or more of the following measures:

- Reorient or relocate the receiving antenna.
- Increase the separation between the equipment and receiver.
- Connect the equipment into an outlet on a circuit different from that to which the receiver is connected.
- Consult the dealer or an experienced radio/TV technician for help.

**Note:** Any changes or modifications to the transmitter or receiver not expressly approved by Hunter Fan Company may void one's authority to operate this remote control.

3. For use only with electrically reversible ceiling fans rated at 1.0 amp or less, and fan incandescent light kits rated at 300 watts or less.
4. Not for use with shaded-pole or nonreversible motors. Not recommended for use with the Hunter Original®.

## Before Installing the Control:

1. Use the pull-chain switch to set the fan speed to the HIGH position before installation.

**Note:** Do not use the pull-chain to change the fan speed after installation, as damage to your ceiling fan or control may result. The speed of the fan should only be changed by the control.

2. Set the ceiling fan light kit to the ON position before installation. The light level should only be changed by the control.

## Receiver Installation:

1. Disconnect the power to the ceiling fan and light kit at the main electric panel. Remove fuse or move circuit breaker to the OFF position. Turn off wall switch.
2. IMPORTANT! Before installing this control, change the factory default jumper switch settings to your own unique code. Refer to Figure 1. Using small pliers or tweezers, pull out one or more of the three jumper switches by clamping on the small metal strip. Place the jumper switches in the desire spots. Be sure the jumper switch positions of the transmitter and receiver match, or the ceiling fan will not function. Select different combinations of jumper switches to prevent misoperation due to other remote control fans, garage door openers, etc.

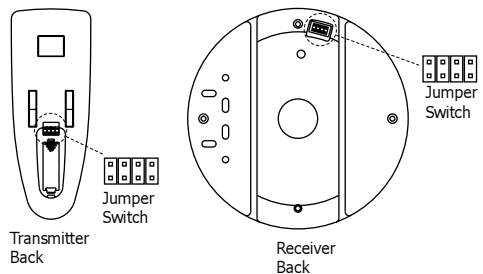


Figure 1 - Jumper Switches

3. Install the ceiling fan according to its instructions, up to the point of making the electrical connections.

**Note:** When installing the receiver, be sure to cut the fan leadwires to leave 6 1/2" extended outside of the hanger pipe. Strip the fan leadwires to leave no more than 5/16" bare wire exposed.

4. Use the two large wire nuts supplied to connect the receiver and house wiring, then use the three small wire nuts supplied to connect the receiver and ceiling fan wiring. Refer to the Wiring Diagram in Figure 2.

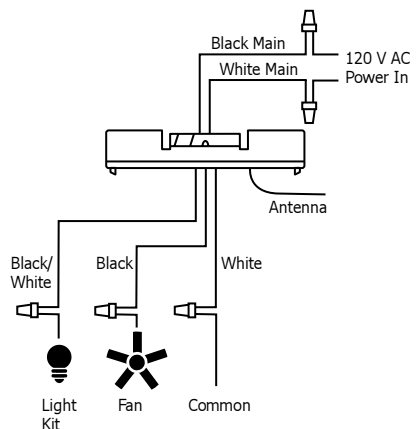
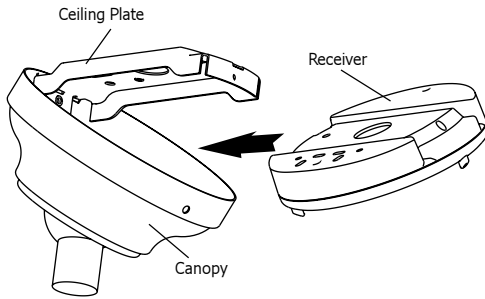


Figure 2 - Wiring Diagram

5. Install receiver as shown in Figure 3. Line up the slots on the receiver with the ceiling plate. Be sure to push wire connections from the ceiling back up through the hole in the ceiling plate. Wires attaching from the ceiling plate to

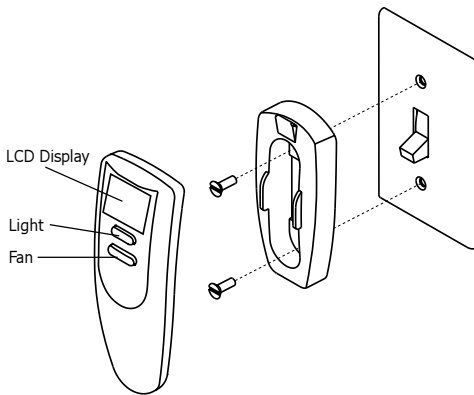
the fan should be placed inside the canopy under the receiver. Once the receiver is installed, continue with the appropriate instructions from the fan installation manual to finish installing the fan.



**Figure 3 - Installing Receiver**

**Transmitter Installation:**

1. Install a 12 volt alkaline battery inside the hand-held transmitter after setting the jumper switches to match the jumper switches in the receiver.
2. Mount the remote holder over the ceiling fan's wall switch using the existing wall plate screws. Refer to Figure 4.
3. The transmitter can be placed on the remote holder for convenience or safekeeping.



**Figure 4 - Remote Holder Assembly**

**Testing the Control:**

**Warning!**

- Do not use the pull chain to operate the light. Pulling the chain while power is applied can damage the receiver. It is recommended to shorten the pull chain(s) to prevent accidental use.
- Do not use the pull chain switch to change speeds. Pulling the chain while power is applied can damage the receiver or ceiling fan.

1. When the installation is complete, restore power at the main electrical panel. Then, turn on the wall switch. The light kit should turn ON. If the light remains OFF, turn off the power at the wall switch. Pull the light kit's pull chain to turn the light ON. Turn the wall switch back ON.
2. Press the remote control's fan speed button (refer to Figure 4). The fan should start and reach it's maximum speed. If

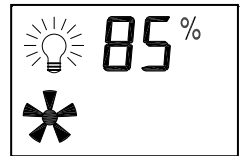
the fan does not start or is turning too slow, turn off the power at the wall switch. Pull the fan's pull chain to change speed. Reapply power and try HIGH speed again. Repeat this procedure until you have confirmed that the fan's pull chain is set to HIGH speed.

**Operation:**

1. Turn ON the wall switch, the light will turn ON at maximum brightness and the fan will be off.
2. **Standby Mode:**
  - To save battery power, if no button on the remote is pressed for one minute, the remote LCD will go into standby mode.
  - During standby mode, all LCD icons are turned OFF.
  - The LCD will resume original display when any button is pressed. The button function is not performed but acts as a wake up key.

3. **Light Operation:**

- **ON and OFF:** Press and quickly release the light button on the hand-held remote to turn the light OFF and ON.
- **Dimmer:** Press and hold the light button for more than one second to dim or brighten the light. If brightness is initially at 100%, then the brightness will decrease to 95% and so forth by 5% increments as long as the light button is pressed. When the minimum brightness of 25% is reached, the setting will pause and then begin to increase by 5% increments as long as the light button is pressed.
- **Auto Resume:** The light button has an auto resume, so the brightness will stay the same as the last time it was turned OFF.



4. **Fan Operation:**

- **ON, OFF, and Speed Setting:** Press the fan button to turn ON the ceiling fan at HIGH speed. Press again to change the speed to MEDIUM, then again to LOW, and then again to turn the fan OFF.



5. **Low Battery Detection:**

- The low-battery warning icon will flash when the battery needs to be changed. If there is a low-battery, it will also flash during standby mode.
- Replace the battery when the low-battery warning icon begins to flash.



## Troubleshooting

Symptom	Possible Causes	Solution
1. No functions operate.	Main Power not restored.	Replace fuse. Turn ON circuit breaker. Turn ON wall switch.
	Fan pull chain not set to HIGH.	Turn OFF power at wall switch or main electric panel. Set fan to HIGH speed.
	Light pull chain not set to ON.	Set light kit to ON.
	Receiver wiring incorrect.	Verify wiring connections.
	Transmitter and receiver jumper switches do not match.	Set transmitter and receiver to same jumper switch setting.
	Battery too weak.	Replace with new, alkaline battery.
2. Operates only at close range.	Signal blocked from reaching receiver.	Extend antenna into ceiling box, or move it for better reception.
	Battery too weak.	Replace with new, alkaline battery.
3. Inconsistent operation.	Signal partially blocked from reaching receiver.	Extend antenna into ceiling box, or move it for better reception.
	RF interference.	Turn OFF wall switch for 5 seconds, then turn back ON.
	Continuing RF interference.	Change dip switch settings to a different code in both Transmitter and Receiver.



**Hunter Fan Company**  
**2500 Frisco Avenue**  
**Memphis, Tennessee 38125**